

## Measurement Instructions for Association Measurers

### General

1. Sails must confirm to patterns adopted on
2. All dimensions are maximum only - no minimum
3. All measurements in straight line except center-fold length of spinnaker
4. Measurement points as illustrated on attached diagrams.

### Mainsail

1. Luff - 15'3½" (with 10 lb tension applied) from head to tack
2. Foot - 8'4½" (with 10 lb tension applied) from tack to clew
3. Cross width - 5'11<sup>3</sup>/<sub>4</sub>". Measurement to be taken with all wrinkles smoothed out of sail across points A to B.  
A = ½ length of luff, head on top of tack  
B = ½ length of leech, head on top of clew
4. 6 batten pockets, width 2¼" O.D., eyelet on pocket, strings on leech
5. Window (if fitted) - 30" x 5" centred approximately 2'9" from luff and 1'4" from foot

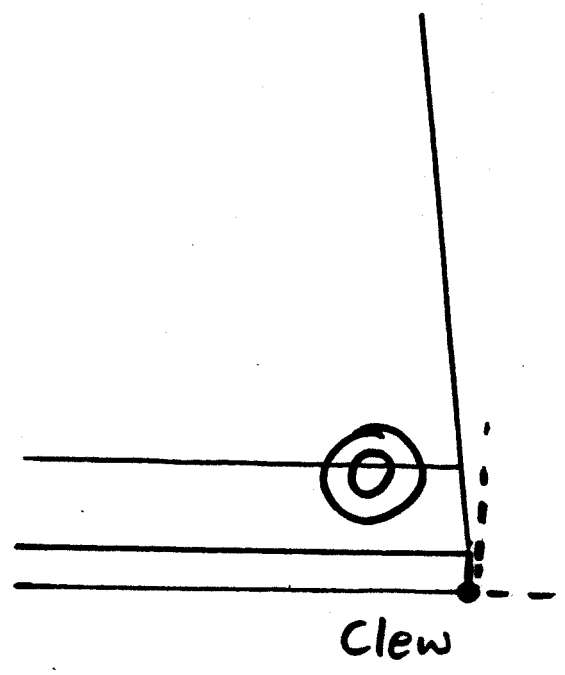
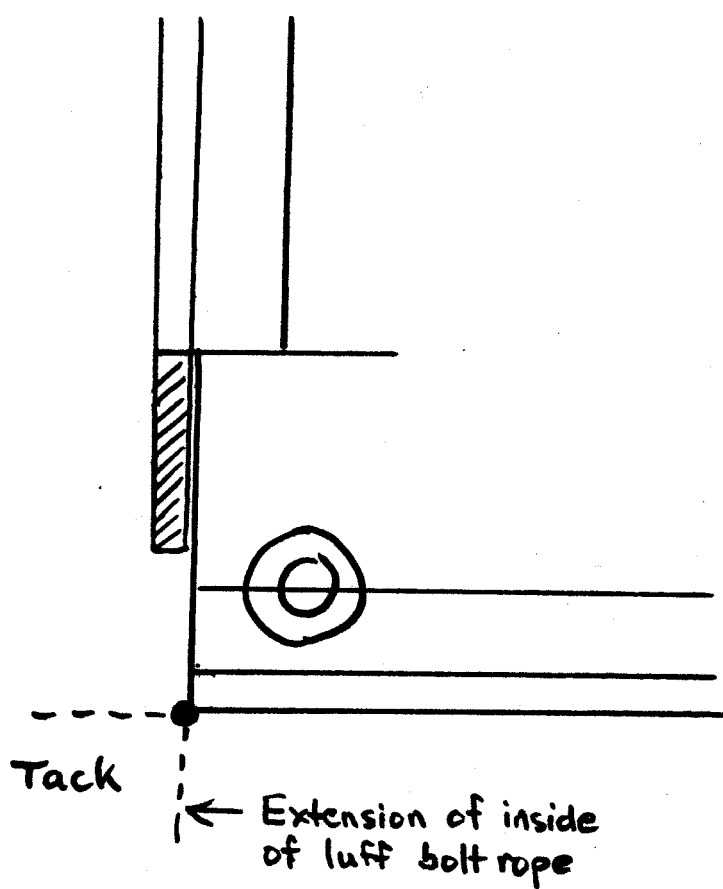
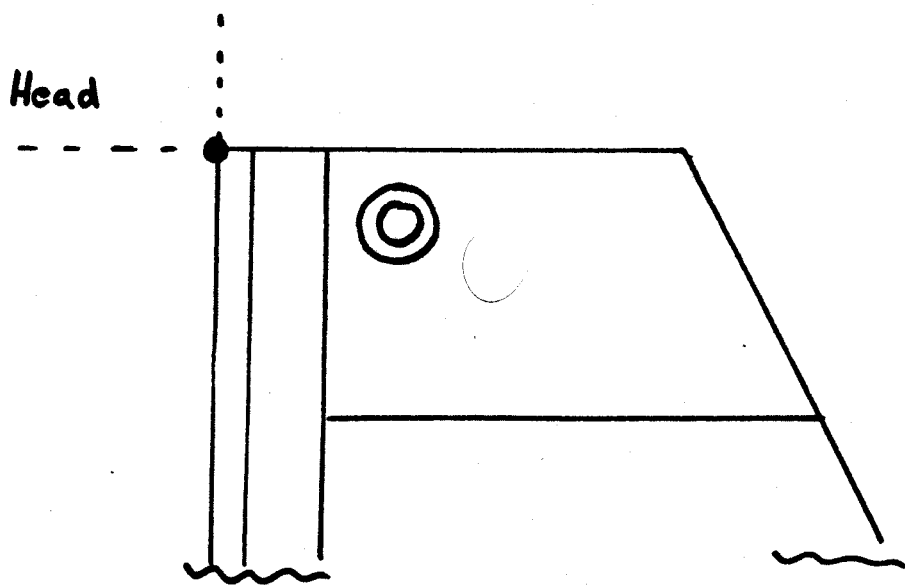
### Jib

1. Luff - 10'5½" (with 10 lb tension applied to cloth, no tension on wire) from head to tack
2. Leach - 9'10" (with 5 lb tension applied to cloth) from head to clew
3. Foot - 4'4" (with 5 lb tension applied to cloth) from tack to clew
4. Top batten - width of sail measured at right angles to leech along bottom of batten pocket not to exceed 10".
5. Width of batten pockets 1¼" O.D.
6. Window if fitted 24" x 4" centred approximately 23" from luff and 17½" from foot

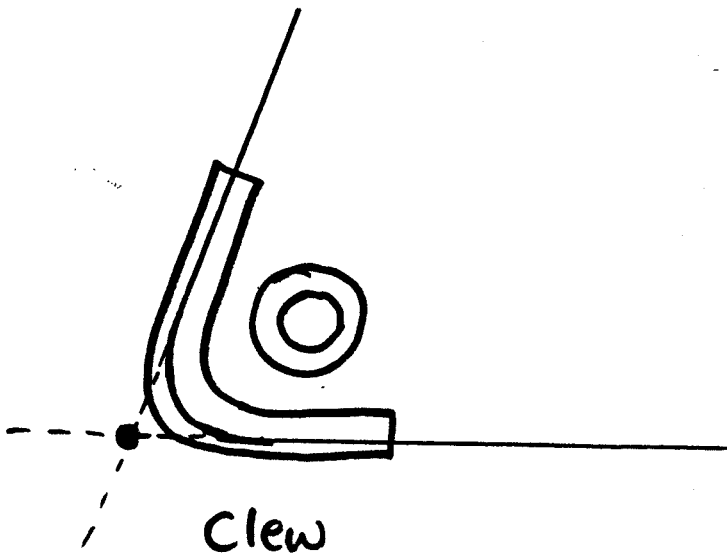
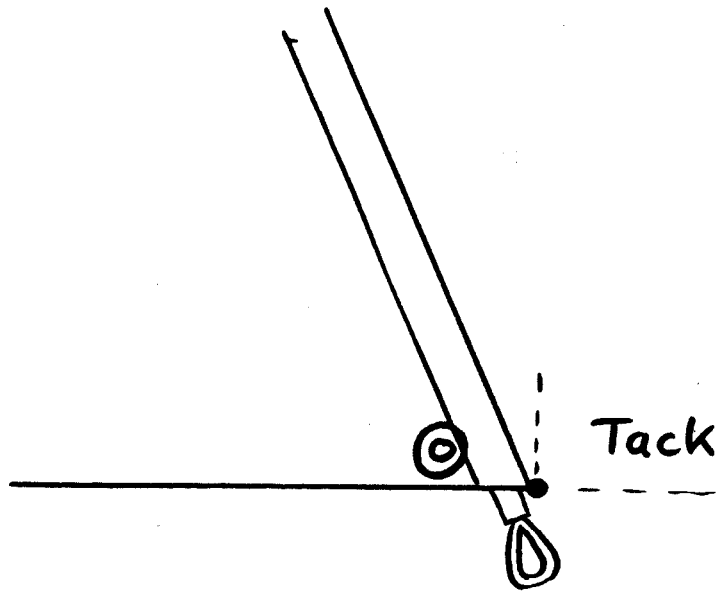
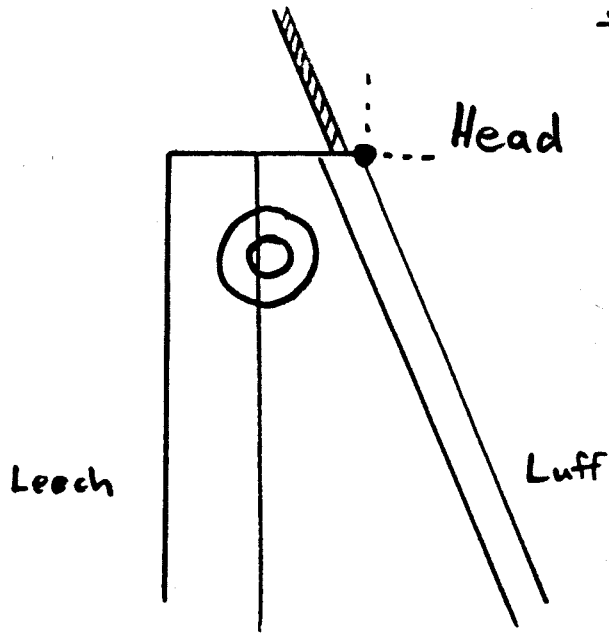
### Spinnaker

1. All measurements to be made with tension sufficient just to remove wrinkles in sailcloth along line of measurement
2. Luff -
3. Half foot - when sail folded vertically, clew to clew
4. Centrefold measurement - from head to mid-point of foot, to be measured by holding sail by head and clews and laying tape along centrefold as illustrated in attached diagram
5. Half height width - measured along the line resulting from folding sail clew to clew, then head to clew as illustrated in attached diagram

MAINSAIL

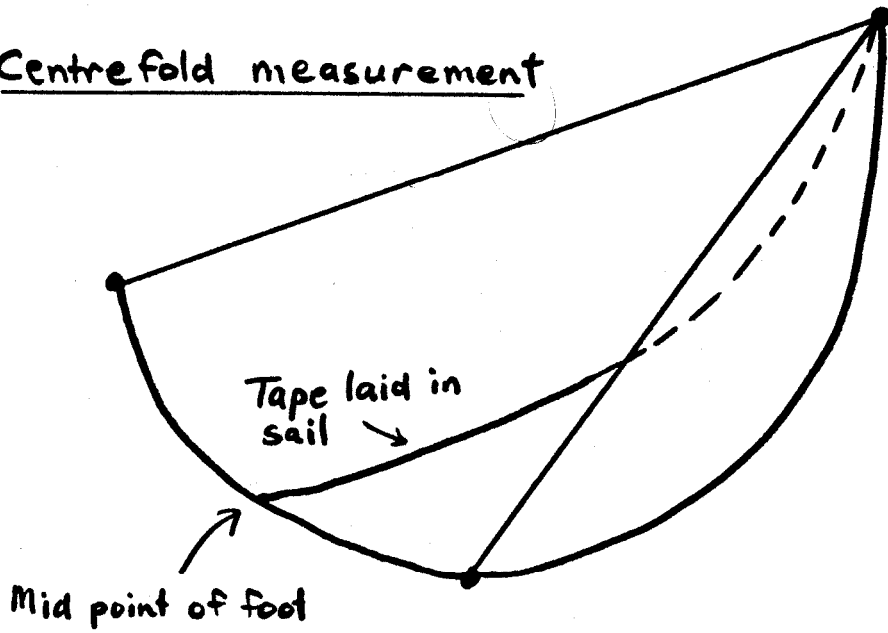


JIB



# SPINNAKER

## Centre fold measurement



## Half height width

